



EX-HEATERS

- zone 1/21 and 2/22
- different temperature classes
- high kind of protection
- use in explosion-endangered areas

Type: Ex-heaters zone 2/22

Power range: 25W - 400W
 Voltage range: 115V, 230V

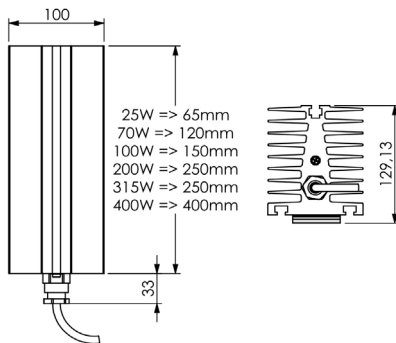


Technical data

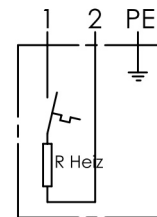
	DESCRIPTION	ORDER INDEX
Kind of protection	IP66	IP66
Protection class	PC I	-
Operation- / storage temperature	-40 – +60 °C	-
Heater	aluminium profile black anodized	-
Wiring cable	1,00m 3x1,50mm ² *	exact specification
Heating element	high performance cartridge	-
Mounting	snap-mounting for 35mm DIN-rail	SPS
	screw mounting	SRS
Connection	wiring cable 3x1,50 mm ²	AL
Temperature class (according to power)	⊕ II 3G Ex dc IIC T3 Gb ⊕ II 3D Ex tc IIIC T200 °C Db	200W, 315W, 400W
	⊕ II 3G Ex dc IIC T4 Gb ⊕ II 3D Ex tc IIIC T135 °C Db	70W, 100W
	⊕ II 3G Ex dc IIC T5 Gb ⊕ II 3D Ex tc IIIC T100 °C Db	25W
Mounting position	vertical	-
Special voltages	115V	exact specification

* variable length is possible

Dimension



Wiring diagram



U	bn (1)	bl (2)	gn/ge (3)
>= 115V AC	L1	N (L2)	PE

Standard versions

ORDER-NO.	VOLTAGE	POWER	OPERA.CURRENT	INRUSH CURRENT	WEIGHT	DIMENSIONS	CONNECTION	MOUNTING
23025E2AL0	230V	25W	0,20A	0,20A	1200g	65x129x100mm	cable 1,00m	snap
23070E2AL0	230V	70W	0,30A	0,30A	2000g	120x129x100mm	cable 1,00m	snap
230100E2AL0	230V	100W	0,43A	0,43A	2500g	150x129x100mm	cable 1,00m	snap
230200E2AL0	230V	200W	0,87A	0,87A	3500g	250x129x100mm	cable 1,00m	snap
230315E2AL0	230V	315W	1,37A	1,37A	5000g	250x129x100mm	cable 1,00m	snap
230400E2AL0	230V	400W	1,74A	1,74A	5000g	400x129x100mm	cable 1,00m	snap

The information described on this data sheet contains descriptions or characteristics, which could not apply in the described way in the concrete case. The information of the products can also change in the course of development. The desired characteristics are only binding in the case that they have been explicitly agreed with a contract conclusion. Delivery possibilities and technical changes reserved.

The mentioned technical data have been determined under labor conditions by universal test instructions. Only insofar characteristics are ensured. The test for the suitability for the intended use scheduled by the purchaser is incumbent on the purchaser; we do not take warranty for that. Errors reserved. Status: 08/2017