



EX-HEATER FTH

- high heated release
- easy installation
- zone 2/22
- directed and uniform heat dissipation

Type: FTH zone 2/22

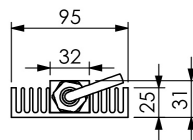
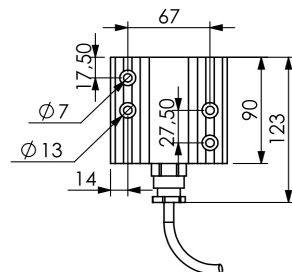
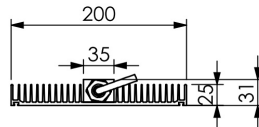
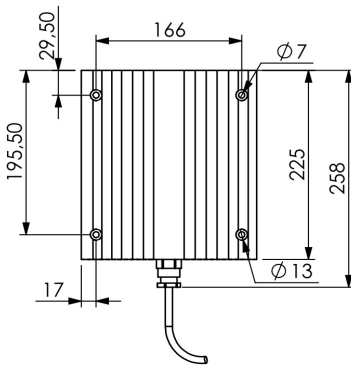
Power range: 50W - 200W
 Voltage range: 230V



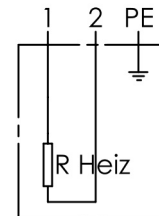
Technical data

	DESCRIPTION	ORDER INDEX
Kind of protection	IP66/67	IP66/67
Protection class	SK II	-
Operation- / storage temperature	-40 – +70 °C	-
Wiring cable	1,00 m 2xAWG 18	-
Heating element	high performance cartridge	-
Mounting	screw-mounting	S
Connection	wiring cable 2xAWG18	AL
Temperature class (according to power)	⚠ II 3G Ex dc IIC T3 Gb ⚠ II 3D Ex tc IIIC T200 °C Db ⚠ II 3G Ex dc IIC T4 Gb ⚠ II 3D Ex tc IIIC T135 °C Db	200W 50W, 80W
Mounting position	optional	-

Dimensions



Wiring diagram



U	bn (1)	bl (2)	gn/ge (3)
>= 115V AC	L1	N (L2)	PE

Standard versions

ORDER-NO.	VOLTAGE	POWER	OPERA.CURRENT	INRUSH CURRENT	WEIGHT	DIMENSIONS	CONNECTION	MOUNTING
3000004	115-265V	50W	0,25A	1,50A	ca. 3,0kg	123x95x31mm	cabel 1,00m	screw
3000003	115-265V	80W	0,45A	3,00A	ca. 3,0kg	123x95x31mm	cabel 1,00m	screw
3000002	115-265V	200W	1,10A	5,50A	ca. 5,0kg	225x200x31mm	cabel 1,00m	screw

The information described on this data sheet contains descriptions or characteristics, which could not apply in the described way in the concrete case. The information of the products can also change in the course of development. The desired characteristics are only binding in the case that they have been explicitly agreed with a contract conclusion. Delivery possibilities and technical changes reserved.

The mentioned technical data have been determined under labor conditions by universal test instructions. Only insofar characteristics are ensured. The test for the suitability for the intended use scheduled by the purchaser is incumbent on the purchaser; we do not take warranty for that. Errors reserved. Status: 08/2017