



PTC - HEATER

- self-regulating
- dynamically heating
- high voltage zone
- elaborated system with cooling fins

Type: P-ssm

Power range: 20W – 30W**
 Voltage range: 24V, 110V – 265V



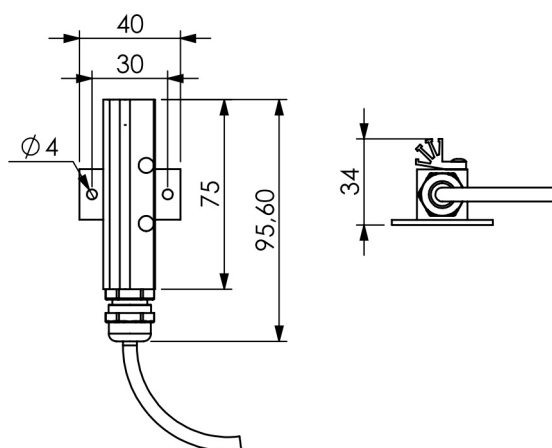
Technical data

	DESCRIPTION	ORDER INDEX
Kind of protection	IP54	IP54
Protection class	PC II	-
Operation- / storage temperature	-40 – +70 °C	-
Surface temperature (at 20°C surrounding temperature)	20W: 80-90°C; 30W: 120-155°C	-
Wiring cable	0,25m 2x0,75mm ² silicone*	exact specification
Heating element	PTC-cartridge	-
Mounting	screw-mounting	SRW
Connection	wiring cable 2x0,75mm ² silicone	AL
Mounting position	vertical	-
Special voltages	24V AC/DC (only possible with 20W)	exact specification

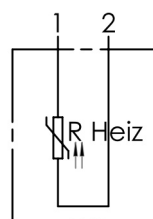
* variable length is possible

** at 0° C ice water

Dimension



Wiring diagram



U	bn (1)	bl (2)
24V DC	+	-
24V AC	~	~
110-265V DC	+	-
110-265V AC	L1	N (L2)

Standard versions

ORDER-NO.	VOLTAGE	POWER	OPERA.CURRENT	INRUSH CURRENT	WEIGHT	DIMENSIONS	CONNECTION	MOUNTING
P26520AL20	110-265V AC/DC	20W	0,10A	1,20A	125g	95,6x40x34mm	cable 0,25m	screw
P26530AL20	110-265V AC/DC	30W	0,15A	1,30A	125g	95,6x40x34mm	cable 0,25m	screw

The information described on this data sheet contains descriptions or characteristics, which could not apply in the described way in the concrete case. The information of the products can also change in the course of development. The desired characteristics are only binding in the case that they have been explicitly agreed with a contract conclusion. Delivery possibilities and technical changes reserved.

The mentioned technical data have been determined under labor conditions by universal test instructions. Only insofar characteristics are ensured. The test for the suitability for the intended use scheduled by the purchaser is incumbent on the purchaser; we do not take warranty for that. Errors reserved. Status: 04/2018