



PTC - HEATER

- self-regulating
- dynamically heating
- high voltage zone
- elaborated system with cooling fins

Type: P-80

Power range: 70W – 500W**
 Voltage range: 110V – 265V



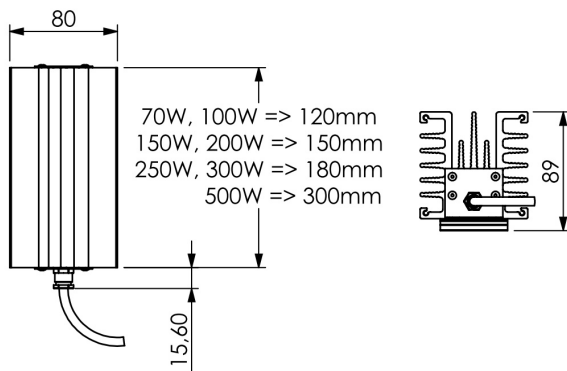
Technical data

	DESCRIPTION	ORDER INDEX
Kind of protection	IP 50 / IP 20 with DK	-
Protection class	PC II	-
Operation- / storage temperature	-40 – +70 °C	-
Surface temperature (at 20°C surrounding temperature)	100W: 75-95°C; 150W: 70-90°C; 250W: 100-105°C	-
Wiring cable	0,50m 2x0,75mm ² silicone *	desired length
Heating element	PTC-cartridge	-
Mounting	snap-mounting for 35mm DIN-rail	-
	screw mounting	S
Connection	wiring cable 2x0,75mm ² silicone	AL
	plug-in terminal 0,08 - 2,5mm ²	DK
Mounting position	vertical	-

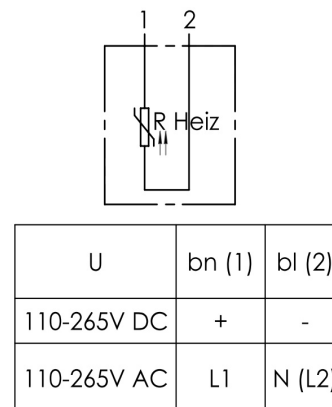
* variable length is possible

** at 0° C ice water

Dimension



Wiring diagram



Standard versions

ORDER-NO.	VOLTAGE	POWER	OPERA.CURRENT	INRUSH CURRENT	WEIGHT	DIMENSIONS	CONNECTION	MOUNTING
P2657080AL2	110-265V AC/DC	70W	0,35A	2,50A	1050g	120x80x89mm	cable 0,50m	snap
P26510080AL2	110-265V AC/DC	100W	0,45A	3,50A	1050g	120x80x89mm	cable 0,50m	snap
P26515080AL2	110-265V AC/DC	150W	0,65A	5,00A	1200g	150x80x89mm	cable 0,50m	snap
P26520080AL2	110-265V AC/DC	200W	0,75A	5,50A	1650g	150x80x89mm	cable 0,50m	snap
P26525080AL2	110-265V AC/DC	250W	1,10A	6,50A	2000g	180x80x89mm	cable 0,50m	snap
P26530080AL2	110-265V AC/DC	300W	1,25A	7,50A	2000g	180x80x89mm	cable 0,50m	snap
P26550080AL2	110-265V AC/DC	500W	1,50A	10,00A	2500g	300x80x89mm	cable 0,50m	snap

The information described on this data sheet contains descriptions or characteristics, which could not apply in the described way in the concrete case. The information of the products can also change in the course of development. The desired characteristics are only binding in the case that they have been explicitly agreed with a contract conclusion. Delivery possibilities and technical changes reserved.

The mentioned technical data have been determined under labor conditions by universal test instructions. Only insofar characteristics are ensured. The test for the suitability for the intended use scheduled by the purchaser is incumbent on the purchaser; we do not take warranty for that. Errors reserved. Status: 04/2018