



## PTC - HEATER

- self-regulating
- dynamically heating
- high voltage zone
- elaborated system with cooling fins

Type: P-25

Power range: 20W – 70W\*  
 Voltage range: 110V – 265V



### Technical data

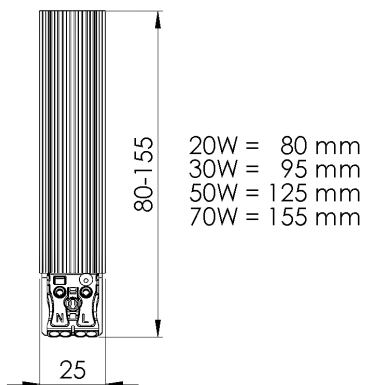
	DESCRIPTION	ORDER INDEX
Kind of protection	IP20 / IP30 with AL	IP20 or IP30
Protection class	PC II	-
Operation- / storage temperature	-40 – +70 °C	-
Surface temperature (at 20°C surrounding temperature)	20W: 80-105°C; 30W: 90-110°C; 50W: 100-120°C; 70W: 110-125°C	-
Heating element	PTC-cartridge	-
Mounting	snap-mounting for 35mm DIN-rail	SPS
	screw-mounting	SRW
Connection	spring pull clamp	AK
	wiring cable 0,40m 2x0,75mm <sup>2</sup> silicone***	AL
Mounting position	vertical	-

\* at 0° C ice water

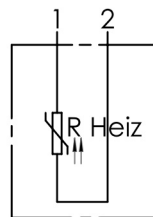
\*\* 24V DC with 20W and 45W on request

\*\*\* variable length is possible

### Dimension

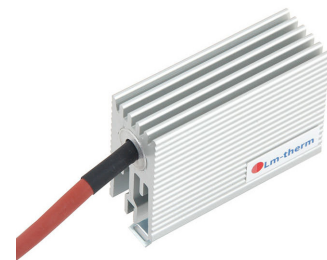


### Wiring diagram



U	bn (1)	bl (2)
110-265V DC	+	-
110-265V AC	L1	N (L2)

### Cable design



### Standard versions\*

ORDER-NO.	VOLTAGE	POWER	OPERA.CURRENT	INRUSH CURRENT	WEIGHT	DIMENSIONS	CONNECTION	MOUNTING
P2652025AK2	110-265V AC/DC	20W	0,10A	0,70A	130g	80x25x62,6mm	spring pull clamp	snap
P2653025AK2	110-265V AC/DC	30W	0,10A	1,00A	150g	90x25x62,6mm	spring pull clamp	snap
P2655025AK2	110-265V AC/DC	50W	0,15A	1,50A	200g	125x25x62,6mm	spring pull clamp	snap
P2657025AK2	110-265V AC/DC	70W	0,25A	1,60A	220g	155x25x62,6mm	spring pull clamp	snap

\* specified performance data at 230V AC

The information described on this data sheet contains descriptions or characteristics, which could not apply in the described way in the concrete case. The information of the products can also change in the course of development. The desired characteristics are only binding in the case that they have been explicitly agreed with a contract conclusion. Delivery possibilities and technical changes reserved.

The mentioned technical data have been determined under labor conditions by universal test instructions. Only insofar characteristics are ensured. The test for the suitability for the intended use scheduled by the purchaser is incumbent on the purchaser; we do not take warranty for that. Errors reserved. Status: 07/2019